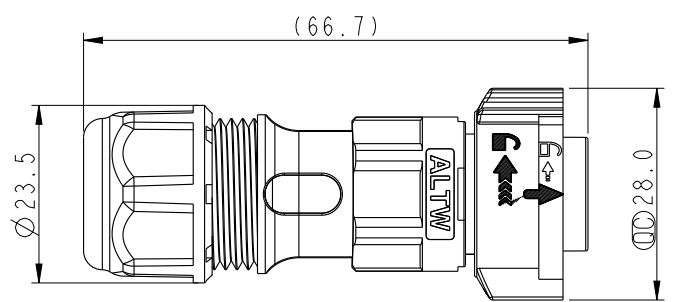
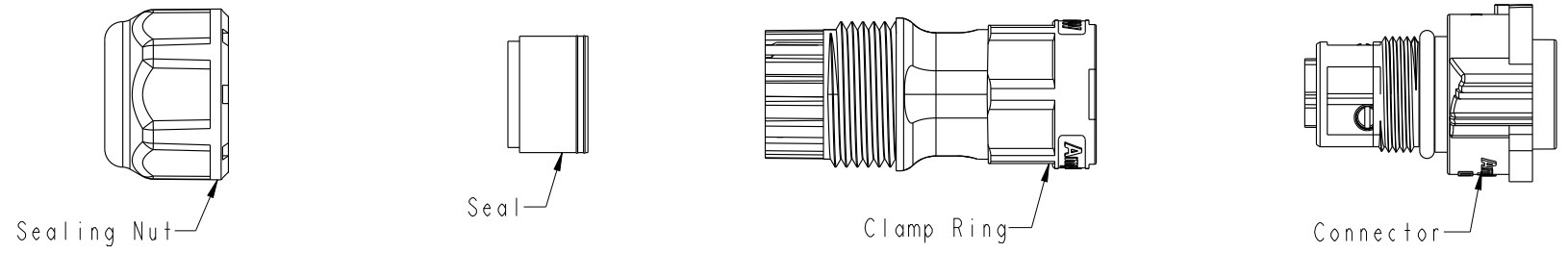


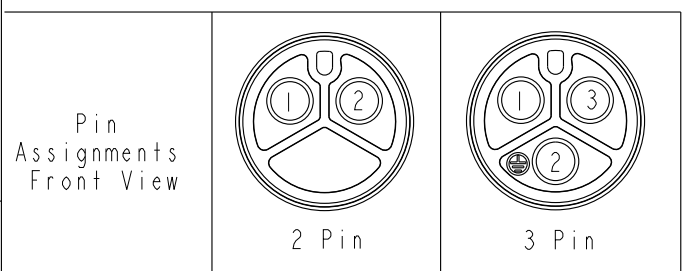
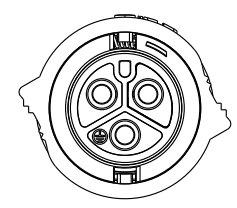
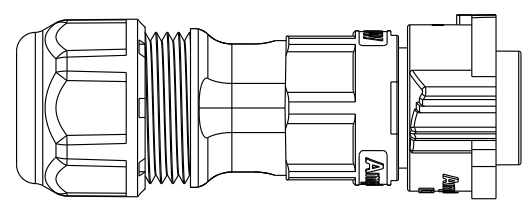
THIS DOCUMENT IS SUBJECT TO CHANGE WITHOUT NOTICE. IT IS CONFIDENTIAL AND A PROPERTY OF Amphenol LTW. DISCLOSURE TO THIRD PARTY HAS TO BE AUTHORIZED BY Amphenol LTW.

REV.	ECN NO.	DATE	SIGN	DESCRIPTION
A	Initial Release	2021/10/14	Xiaofeng	New Initial
B	C211585	2021/10/20	Xiaofeng	$\triangle B$ X4



CC-XXBFMB-QL8XPA
 02-2Pin
 03-3Pin

S: With Red Color Seal 1, Cable OD 6.0~8.0mm.
 M: With Yellow Color Seal 2, Cable OD 8.0~10.0mm.
 L: With Blue Color Seal 3, Cable OD 10.0~12.0mm.
 A: With Seal 1 & Seal 2 & Seal 3.



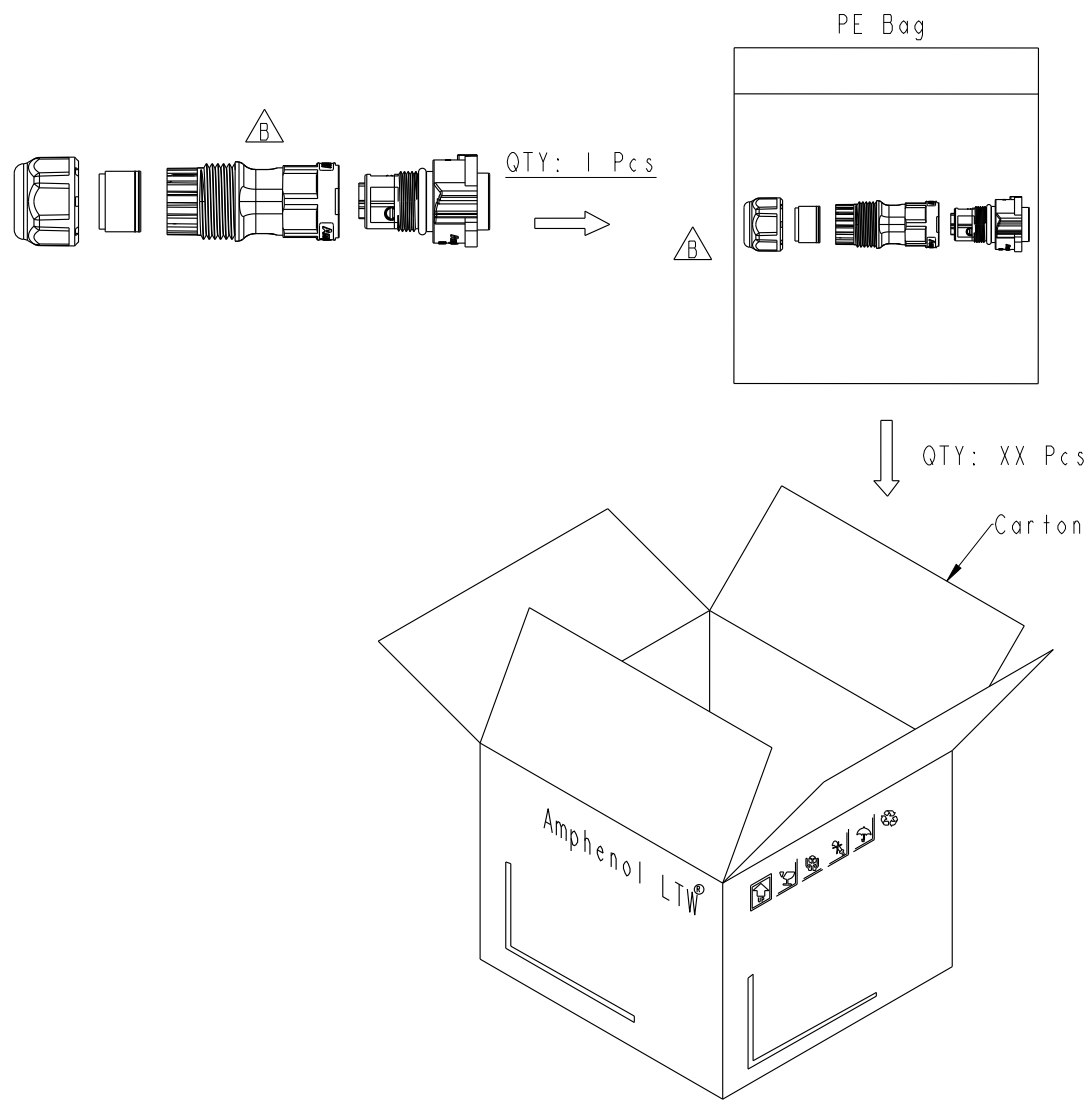
Note:
 * RoHS Compliant
 * \varnothing Important Dimension
 * Waterproof Rate: IPX8, Mated 1m/24h.
 * Connector
 Housing: Thermoplastic, Black
 Pin: Copper Alloy, Gold Plated
 Clamp Ring: Thermoplastic, Black
 Sealing Nut: Thermoplastic, Black
 Seals: Rubber

UNIT:mm			TITLE $\triangle B$ XLOK, C-Size, CABLE W/O SR F, M, FI SCREW IN, XLOK(600,10A)
TOLERANCE ± 0.5 mm	SCALE 8:5	SIZE A4	SHEET 1 OF 2
	REV. B	WC-REV. A.3	\varnothing Inspection item

Amphenol LTW
 安費諾亮泰企業股份有限公司

ITEM NO	DRAWN BY Xiaofeng	DATE 2021/10/14
DWG NO CC-XXBFMB-QL8XPA	CHECKED BY Feng-Li	DATE 2021/10/14
CUSTOMER ALTW	APPROVED BY Jerry	DATE 2021/10/14

THIS DOCUMENT IS SUBJECT TO CHANGE WITHOUT NOTICE. IT IS CONFIDENTIAL AND A PROPERTY OF Amphenol LTW. DISCLOSURE TO THIRD PARTY HAS TO BE AUTHORIZED BY Amphenol LTW.



Note:
 * One Set Unassembled In One PE Bag.
 (每一組未組裝, 放置於一個PE袋, 並封口, 如圖示)
 * Label is Attached To PE Bag Front.
 (標籤貼在PE袋正面)

UNIT:mm		TITLE Δ B XLOK, C-Size, CABLE W/O SR F, M, FI SCREW IN, XLOK(600,10A)	
		SCALE 8:5	SIZE A4
		REV. B	WC-REV. A.3
TOLERANCE ± 0.5 mm		SHEET 2 OF 2	QC: Inspection item

Amphenol LTW
 安費諾亮泰企業股份有限公司

ITEM NO	DRAWN BY Xiaofeng	DATE 2021/10/14
DWG NO CC-XXBFMB-QL8XPA	CHECKED BY Feng-Li	DATE 2021/10/14
CUSTOMER ALTW	APPROVED BY Jerry	DATE 2021/10/14